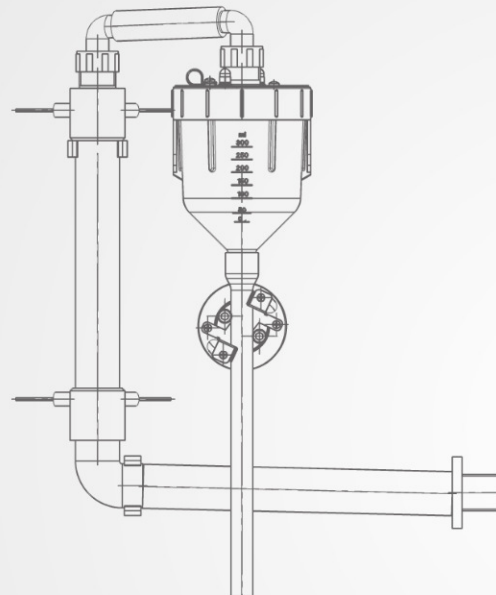
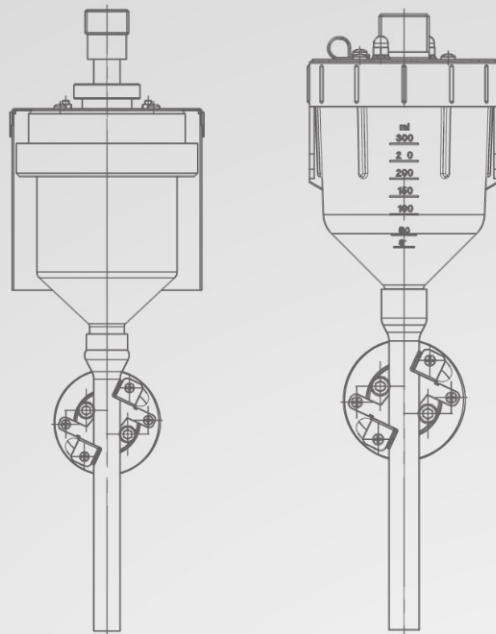


our dosing systems

10 | 11





vacuum system

- a) Plastic dosing vessel
- b) Glass dosing vessel

Probably the most common system in Europe, The sample is extracted by means of a vacuum, that means the liquid is sucked up through the sample hose and led into a metering vessel in which the sample volume is adjusted.

Advantages:

- very reliable
- well-proven system since thousand systems in use
- with purge cycle
- gentle sample extraction
- almost no wear
- low operation expenses

Disadvantages:

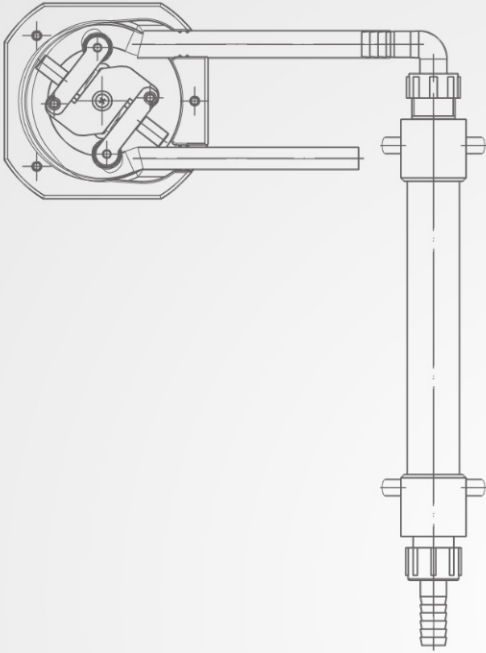
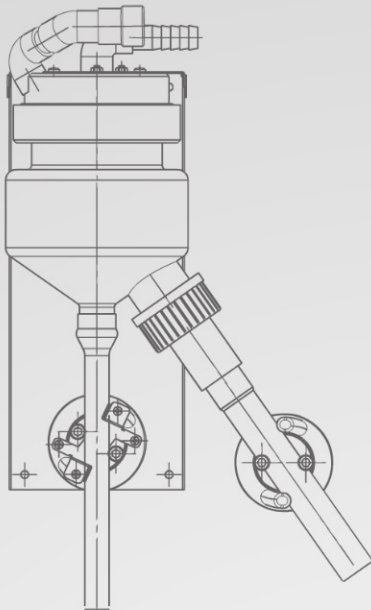
- stripping effect
- max. 8,5 m suction height



var vaccum system with automatic volume adjustment

Like the standard vacuum system, however, with automatic adjustment of the sample volume. This system is of interest if samples shall be taken flow-proportional with a fixed interval. With this system it is possible to monitor changes in water quality even at low flow rates as in standard flow-proportional sampling the sampling intervals are very long. With the new developed measuring tube system (registered design) a high, reproducible dosing accuracy is possible.







flow-through-system

This is a sampling system similar to the water switch. The advantage is, high volume accuracy, as the sample volume is metered before releasing to the sample bottle (range = 3-20l/min).

Advantages:

- suitable for variable inflow
- also applicable with pressurised lines
- high dosing accuracy
- low maintenance

Disadvantages:

- only applicable at free inflow
- limited flow (max. 3-20 l/min)



peristaltic pump

Probably worldwide the most common system. The use of a peristaltic pump is technically the easiest way to pump sample liquid. Just by changing the rotating direction of the pump there is a purge and a suction cycle without the need of any additional parts like valves etc.

Advantages:

- simple construction
- well-proven since thousands of units in use
- almost no wear parts
- flow-dependent sampling is possible

Disadvantages:

- increased wear if solids are in pump
- higher operation expenses
- pump capacity is influenced by hose again and temperature variations

